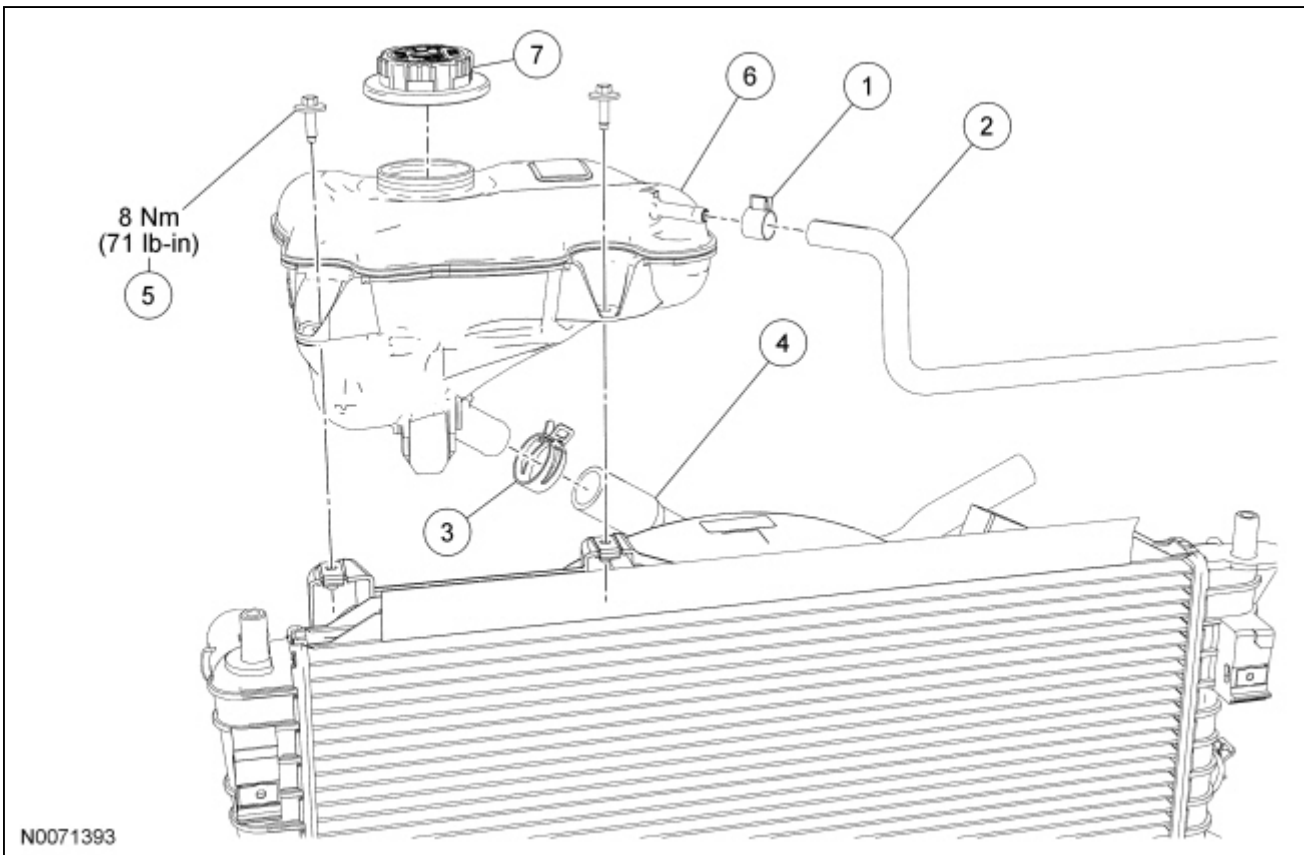



## Degas Bottle



Item	Part Number	Description
1	W527383	Upper degas bottle hose clamp
2	8C633	Upper degas bottle hose
3	15161	Lower degas bottle hose clamp
4	8C350	Lower degas bottle hose
5	W503924	Degas bottle bolt (2 required)
6	8A080	Degas bottle
7	8100	Pressure relief cap

### Removal and Installation

-  **WARNING:** Always allow the engine to cool before opening the cooling system. Do not unscrew the coolant pressure relief cap when the engine is operating or the cooling system is hot. The cooling system is under pressure; steam and hot liquid can come out forcefully when the cap is loosened slightly. Failure to follow these instructions may result in serious personal injury.

Release the pressure in the cooling system by slowly turning the pressure relief cap one half turn counterclockwise. When the pressure is released, remove the pressure relief cap.

- Using hose clamp pliers, clamp the lower degas bottle hose.
- Using a suitable suction device, siphon the coolant from the degas bottle.
- Disconnect the upper degas bottle hose and position aside.

5. Disconnect the lower degas bottle hose and position aside.
  6. Remove the 2 degas bottle bolts and the degas bottle.
    - To install, tighten to 8 Nm (71 lb-in).
  7. To install, reverse the removal procedure.
  8. Fill the degas bottle. Refer to [Cooling System Draining, Filling and Bleeding](#) for the recommended coolant mixture and fill level.
-